

Home Concepts™



By **WELLBORN**
CABINET™

Made in the USA

Whether you are a new family building an affordable first home or breaking ground on a weekend getaway spot, the Home Concepts brand by Wellborn Cabinet, Inc. was designed with you and your builder in mind. Home Concepts is part of the Wellborn family of products, ensuring quality at an economical price point.

Whatever you choose, Home Concepts is sure to have a style to fit your décor and budget. From our family to yours, we present the Home Concepts Series.



Kingston Square Maple, Light



Kingston Square Maple, Natural





Kingston Square Maple, Light



Kingston Square Oak, Medium



Kingston Square Oak, Medium





Hampton Square Maple, Medium



Hampton Square Oak, Medium





Metro Laminate, Sienna

Accessories



Single Oven Cabinet



Diagonal Corner Wall Cabinet



Shelves



Microwave Cabinet



Whatnot Shelf



Base Blind Corner Cabinet with Swing Out Shelves



Sliding Shelves



Base Lazy Susan



Double Wastebasket



Desk End Panel



Countertop Support

Door Styles

Hampton

- Traditional Overlay
- Veneer Recess Center Panel
- Profiled Door and Drawer Front Edges

Hampton Square Maple



Natural Light Medium Sable Sienna Spiceberry Coffee

Hampton Square Oak



Light Medium Sable Sienna Coffee

Kingston

- Traditional Overlay
- Veneer Raised Center Panel
- Profiled Door and Drawer Front Edges

Kingston Square Maple



Natural Light Medium Sable Sienna Spiceberry Coffee

Kingston Square Oak



Light Medium Sable Sienna Coffee

Layton

- Shaker Traditional Overlay
- Veneer Recessed Center Panel
- Square Door and Drawer Front Edges

Layton Maple



Natural Light Medium Sable Sienna Spiceberry Coffee

Layton Oak

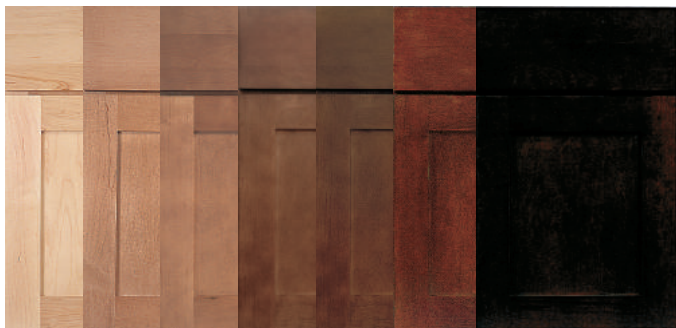


Light Medium Sable Sienna Coffee

York

- Shaker Full Overlay
- Veneer Recessed Center Panel
- Square Door and Drawer Front Edges

York Maple



Natural Light Medium Sable Sienna Spiceberry Coffee

York Oak



Light Medium Sable Sienna Coffee

Cambridge Square MDF



Cambridge

- Full Overlay
- Raised Center Panel Appearance
- Profiled Door and Drawer Front Edges

Glacier Divinity

Metro Laminate



White Linen Natural Maple Sienna Spiceberry

Metro

- Full Overlay
- Doors have Vertical Graining
- Drawer Fronts have Horizontal Graining
- Melamine Door and Drawer Front with Edge Banding on all Edges

Our line of Home Concepts quality cabinets offers both beauty and style at an affordable price. The product selections include beautiful door styles in Maple, Oak, Laminate and MDF. Many doors have solid wood stiles and rails and a veneered center panel. This line of Wellborn cabinetry is sure to have a style to fit any budget and decor.

Door Materials

Maple



Maple is widely used in the cabinetry industry. This wood species features a straight grain with several distinctive characteristics. These include unique figures such as bird's-eye, fiddle back, mineral streaks and curly grain patterns. Finely textured with a natural luster, this creamy-white to light reddish-brown wood is often used for cabinets and floors.

Oak



Authentic American red oaks are open-pored and have grain patterns. Wellborn's manufacturing technology presents Oak with straighter grains than most cabinet lines, and our process minimizes the wide grains and reduces the widths of cathedrals in Oak.

Laminate



Laminate is a decorative panel with resin-saturated printed paper thermally fused to a particleboard or MDF core. The thermally fused melamine process bonds the paper and board using heat and pressure. The paper gives the appearance of wood grain or painted finishes.

MDF



Using high pressure and temperatures, MDF is formed by combining wood fibers with a wax resin binder to form panels. It is made of wood veneer. It is much more dense than normal particle board. This is a durable and tough wood product, commonly used in the construction industry.

Cabinet Construction

Standard

Backs: 1/8" wood grain laminated MDF with fiber board hanging rails.

Drawer Slides: 75-pound rated epoxy coated, double captive guide system, side mounted, adjustable, self-closing with mounting brackets at rear.

Adjustable Shelves: 3/4" furniture board with wood grain lamination on two sides, banding on edges and dual locking WellLock® Shelf Clips.

End Panels: 1/2" furniture board with wood grain laminated end panels and banded on top and bottom edges of wall cabinets to complement door.

Toe Kicks: 1/2" unfinished furniture board full height captive toe kick.

I-Beam: 1/2" x 3" I-Beam furniture board support dadoed into front, back and side.

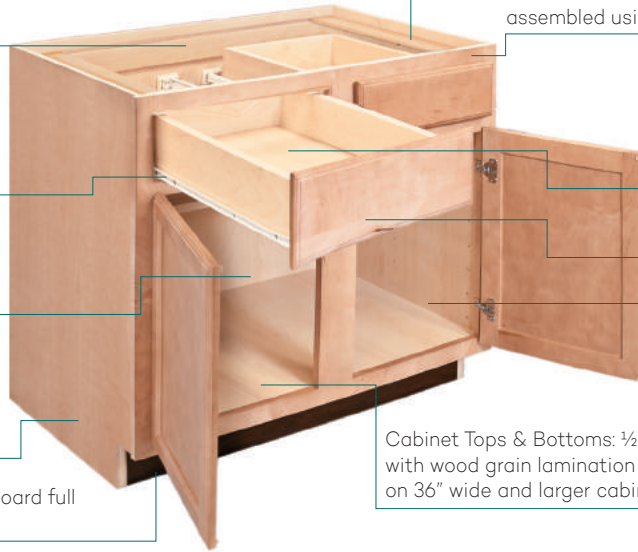
Face Frames: 3/4" x 1 3/4" solid wood face frame, assembled using mortise and tenon construction.

Drawer Boxes: 3/4" furniture board drawer sides with wood grain lamination to match cabinet interior, tenoned to accept 1/2" sub-front and back. 1/8" Hardboard drawer bottom with wood grain lamination.

Drawer Fronts: Drawer front has adjustability.

Interior: Natural Maple wood grain laminate.

Cabinet Tops & Bottoms: 1/2" furniture board with wood grain lamination (solid wood brace on 36" wide and larger cabinets).



Standard Drawer



3/4" Laminated furniture board drawer sides with epoxy coated self-closing, side-mount drawer slides.

Plywood Drawer Upgrade Option



3/8" Plywood drawer with dovetail joints and undermount soft close drawer slides. Dovetail joints are unfinished.

All Plywood Construction (APC) Option

Backs: 3/16" wood grain laminated plywood with solid hardwood or plywood hanging rails.

Drawer Slides: 75-pound rated epoxy coated, undermount soft close.

Drawer Boxes: 5/8" plywood dovetail drawer sides in a natural finish.

Adjustable Shelves: 3/4" plywood with wood grain lamination on two sides, banding on edges and dual locking WellLock® Shelf Clips.

End Panels: 1/2" unfinished plywood end panels. Matching Finished End Option available.

I-Beam: 1/2" x 3" I-Beam plywood support dadoed into front, back and side.

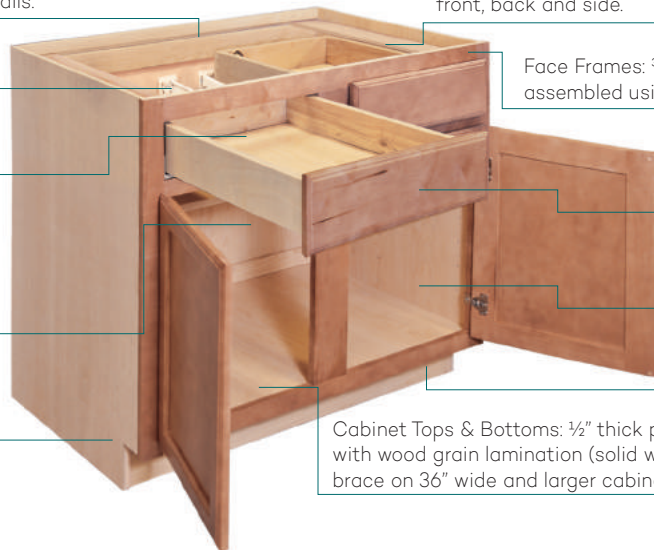
Face Frames: 3/4" thick, 1 3/4" frame, solid wood assembled using mortise and tenon construction.

Drawer Fronts: 3/4" solid wood drawer front.

Interior: plywood with Natural Maple wood grain laminate.

Toe Kicks: 1/2" unfinished plywood extends to cabinet floor for captive construction.

Cabinet Tops & Bottoms: 1/2" thick plywood with wood grain lamination (solid wood brace on 36" wide and larger cabinets).



Standard Drawer

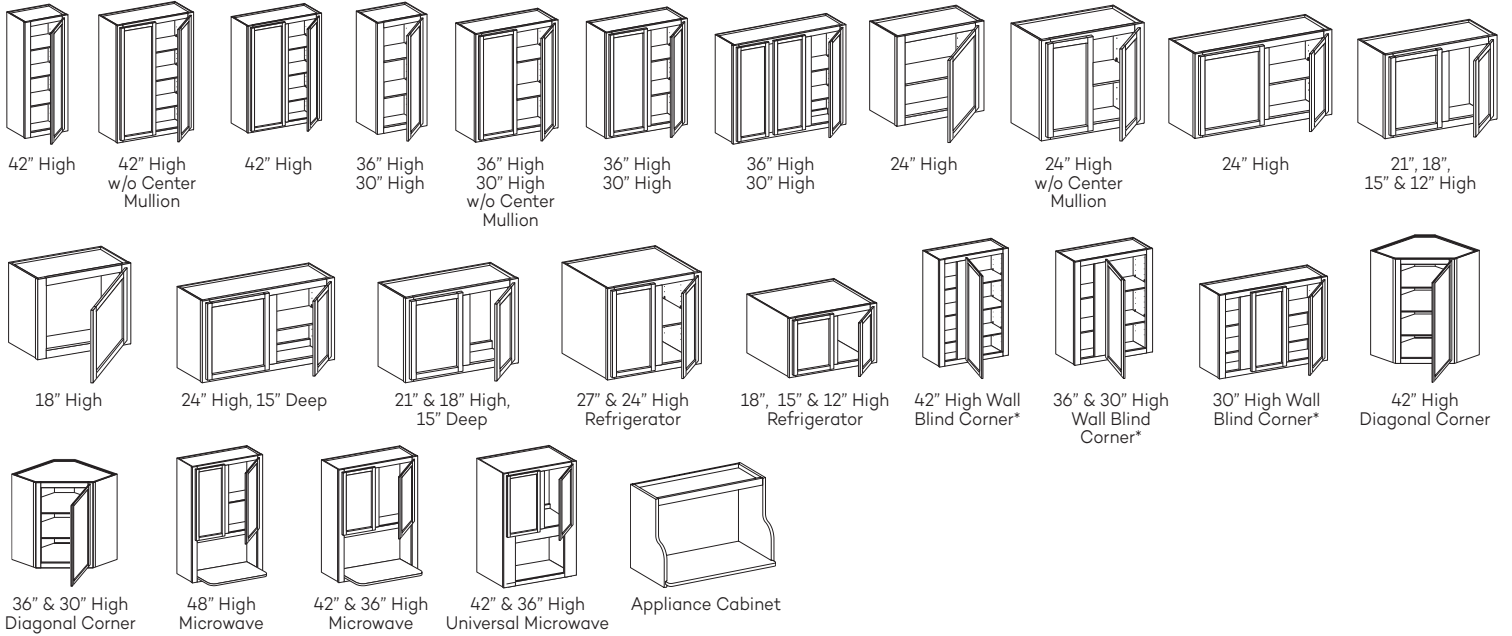


3/8" Plywood drawer with dovetail joints and undermount soft close drawer slides. Dovetail joints are unfinished.

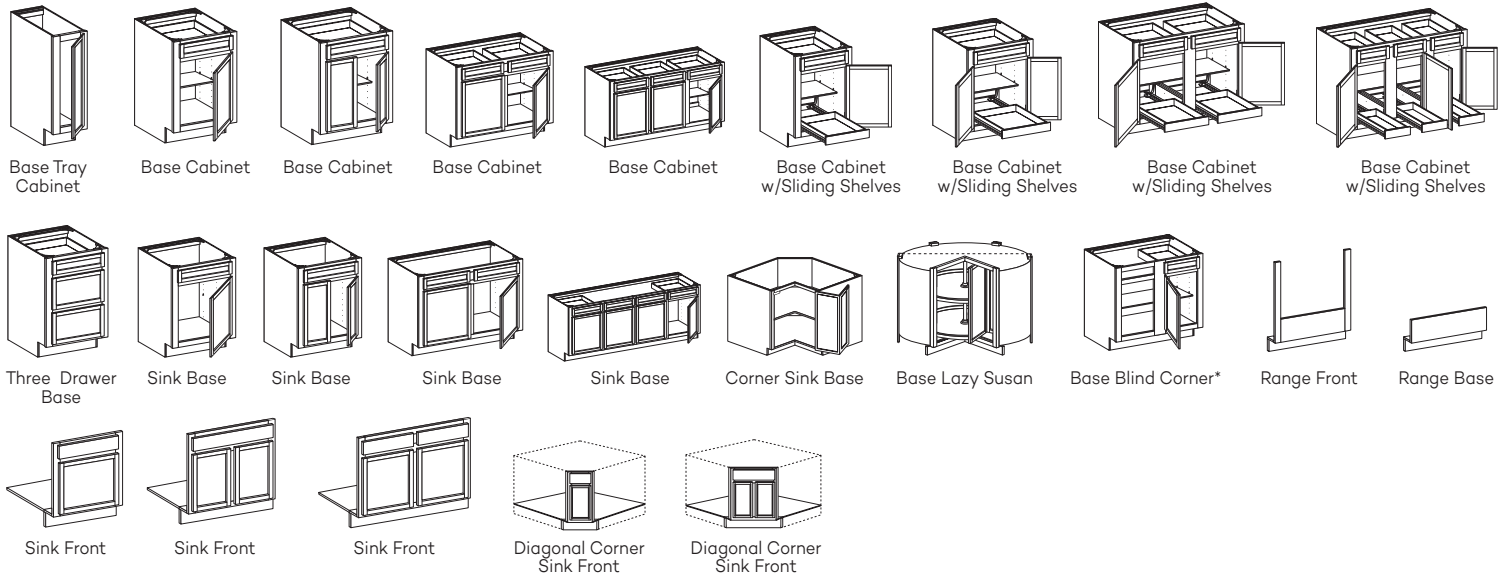
Cabinets & Accessories

The Home Concepts product line includes all the cabinetry sizes you'll need to create the home of your dreams.

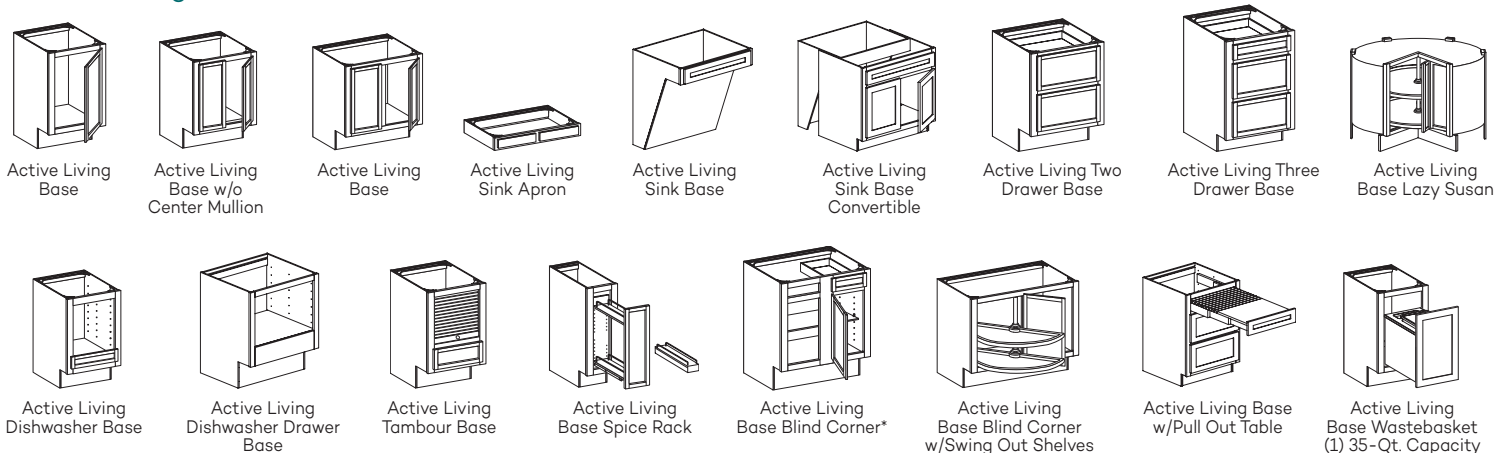
Wall Cabinets



Base Cabinets

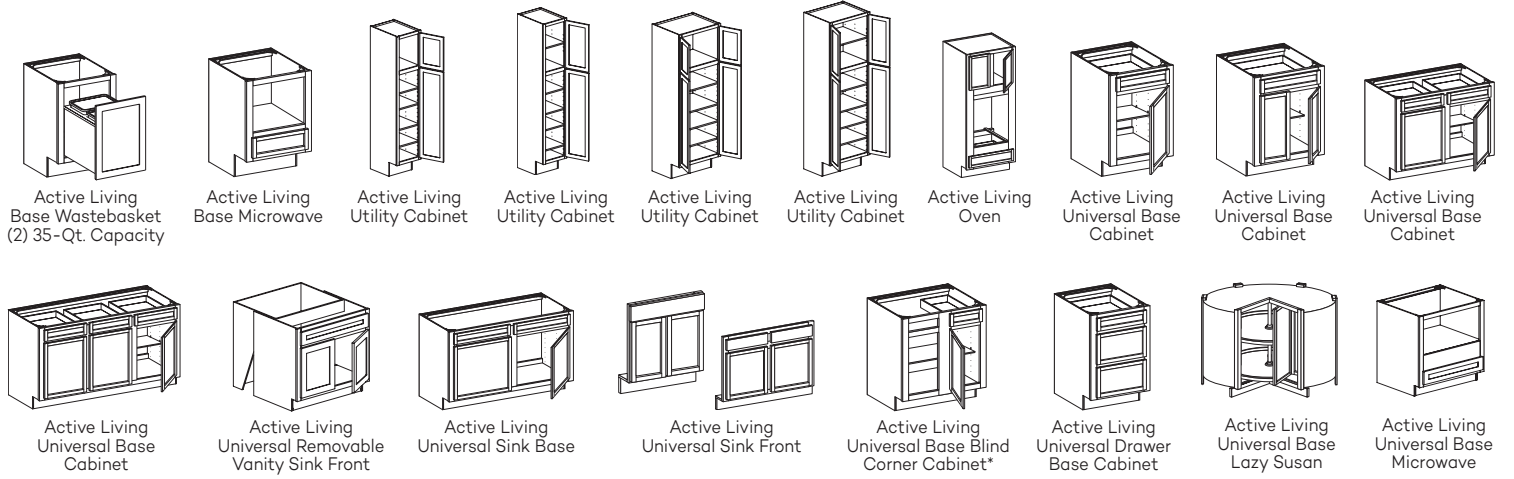


Active Living Cabinets

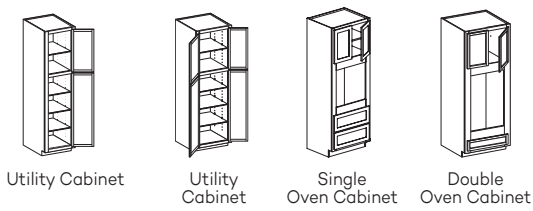


*Left Blind Shown

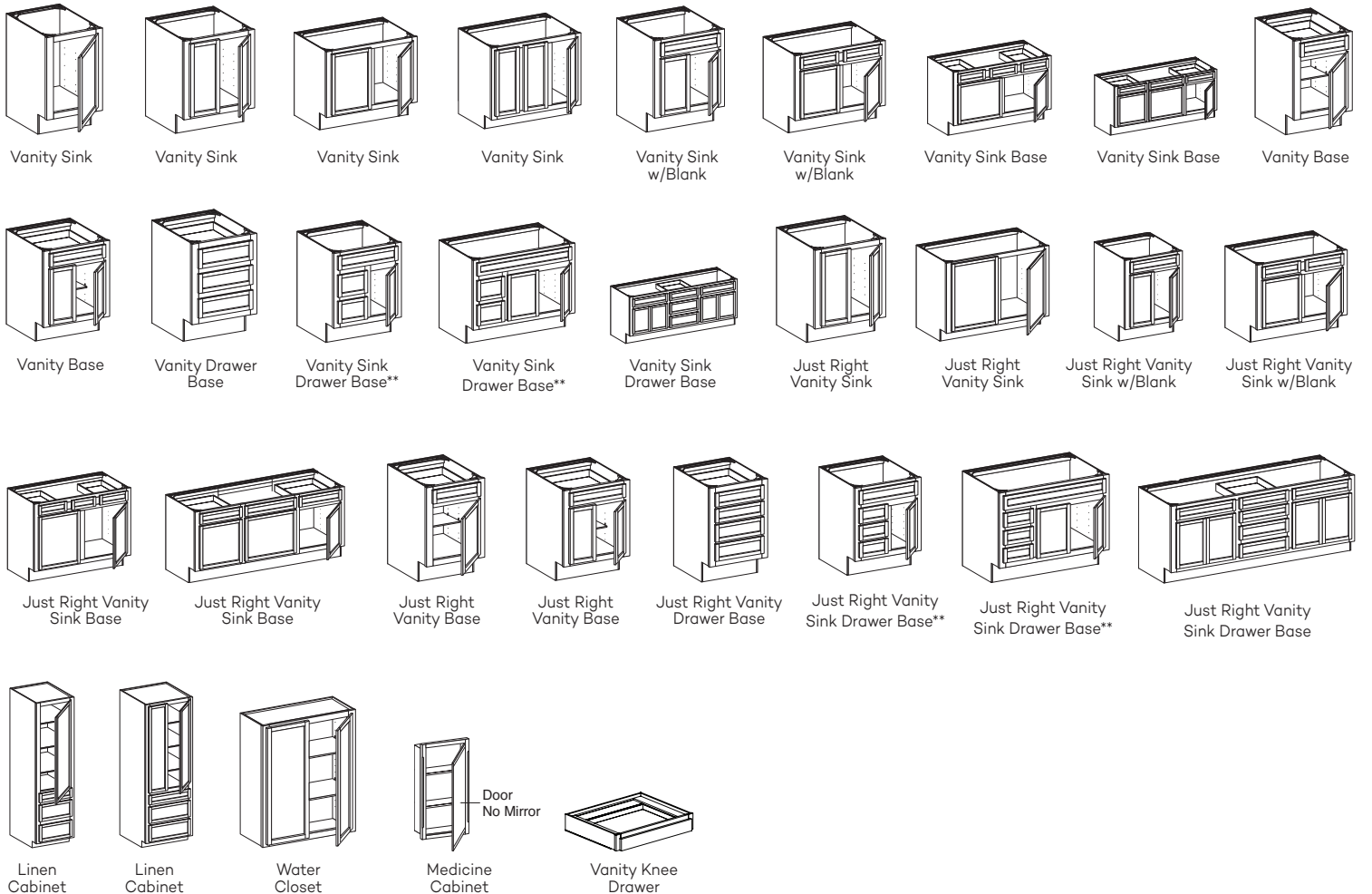
Active Living Cabinets (continued)



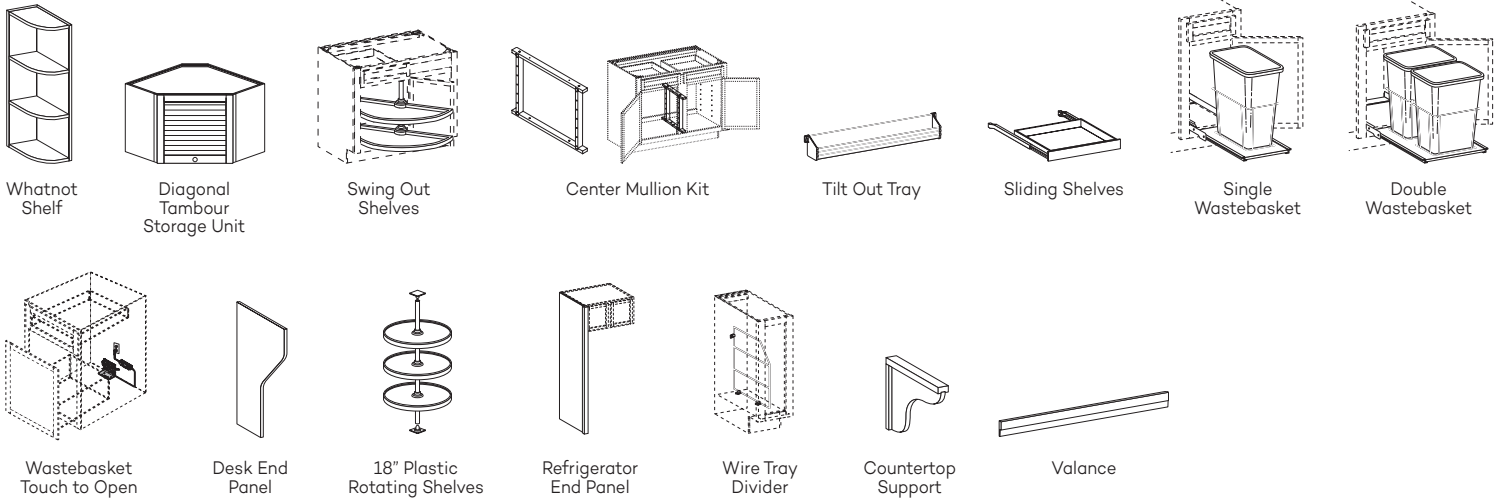
Tall Cabinets



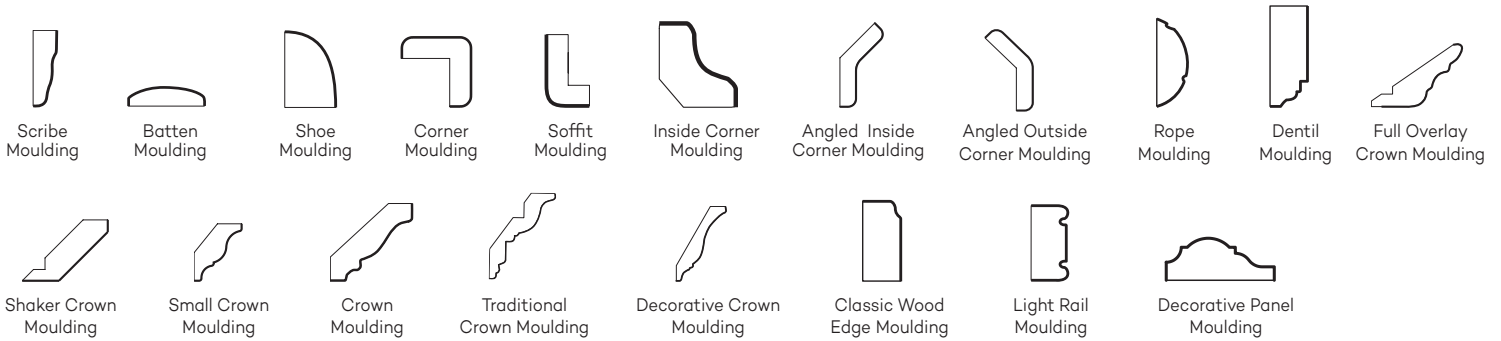
Vanity Cabinets



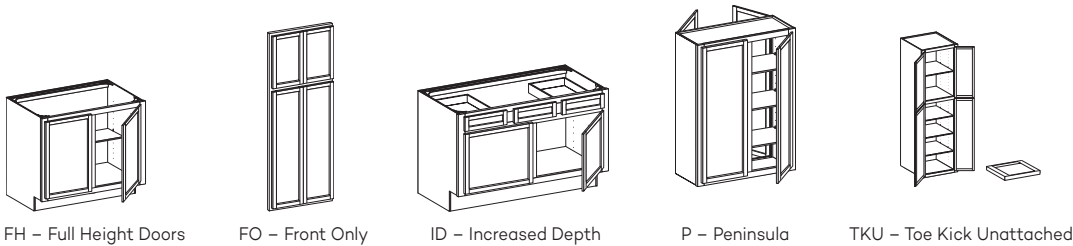
Accessories



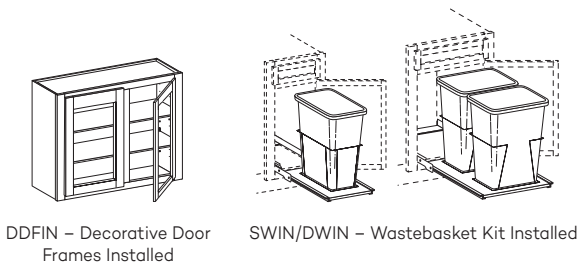
Mouldings



Semi-Custom Options



Function Ready Options





The Wellborn Quality

Since 1961, Wellborn Cabinet, Inc. has been manufacturing quality kitchen and bath cabinetry in Ashland, Alabama. It all began in a small cabinet shop to build cabinets for the local markets. Since that time, Wellborn has become a state of the art manufacturing facility of over 1.8 million square feet that combines some of the most advanced technology systems in the industry with over 58 years of acquired knowledge and experience in high quality cabinetry craftsmanship.

Green Choice is About Taking Action

Environmental stewardship has been part of Wellborn's culture since its beginning. This responsibility has never been just about words. It has been about decades of actions, investments and practices. At Wellborn, we have recycling programs, utilize wood waste to generate power and steam and continue to lower VOC emissions through technology. We also partner with our suppliers to improve their environmental programs. This is why you will find the KCMA Environmental Stewardship Program seal on our cabinetry. The Green Choice program ensures that you are purchasing a brand of cabinets from a company that takes conscious steps to protect and minimize the overall impact on our environment.



Distributed By:

Home Concepts ^{By} WELLBORN CABINET

38669 Hwy. 77 • Ashland, Alabama 36251
(256) 354-7151 • Fax (256) 354-7022 • wellborn.com



MADE IN THE USA



Cabinets that comply and bear the KCMA Certification Seal are recognized in the marketplace as a quality product able to perform after a rigorous battery of tests simulating years of typical household use.



Due to the natural variation and aging process, minor differences may be noticed in color match when replacing doors on existing cabinetry or adding additional cabinetry at a later date. It is a characteristic of stained wood finishes, laminate cabinetry to age over time when exposed to smoke, sunlight or general household detergents and chemicals. Therefore, we recommend using only a soft, clean cloth or furniture polish containing natural oils and cleaning emulsifiers to clean the finish of your Home Concepts wood cabinets. Products containing wax or silicone polishes are **NOT** recommended. In order to maintain the maximum quality and beauty of your laminate cabinetry, avoid exposure to moisture to the back edge of the doors. Undue wetness could result in delamination over time.

Due to the natural characteristics of wood and the limitations of photography and the lithographic printing process, the woods and wood finishes shown in this brochure may not accurately depict those offered by Home Concepts. See your local Home Concepts dealer for actual wood sample color selections and for complete warranty details. The Home Concepts Series has a machine sanded finishing process and does not include the detailed hand sanding technique featured in the Wellborn Collection. Wellborn Cabinet, Inc. does not warrant finish matching between the Home Concepts or Select Series and the Premier Series due to differences in wood characteristics and finishing processes. Any claim arising from or related to cabinet finish matching in such blended or mixed designs is specifically and expressly not covered under any warranty provision.